



The **Marapco** sound attenuated enclosures for the range of Perkins powered P200H2 to P700E5 generating sets are a result of continuing research and development by our specialist acoustic engineers. These enclosures reduce sound levels to comply with the European Community regulations 2000/14/EC.

The fully weatherproof enclosures incorporate internally mounted exhaust silencers and are of extremely rugged construction in order to withstand the rough handling common on many construction sites. They are designed on modular principles with many interchangeable components permitting on-site repair.

Robust/Highly Corrosion Resistant Construction

- ▶ Black finish stainless steel locks and hinges.
- ▶ Zinc plated or stainless steel fasteners.
- ▶ Body made from steel components treated with polyester powder coating.

Excellent Access for Maintenance

- ▶ Two large doors on each side.
- ▶ Radiator fill access plate.
- ▶ Lube oil and cooling water drains piped to exterior of the enclosure.

Security and Safety

- ▶ Control panel viewing window in a lockable access door.
- ▶ Emergency stop push button (red) mounted on enclosure exterior.
- ▶ Cooling fan and battery charging alternator fully guarded.
- ▶ Fuel fill and battery can only be reached via lockable access doors.
- ▶ Exhaust silencing system totally enclosed for operator safety.

Transportability

- ▶ Tested and certified single point lifting facility. (Up to P550E3 Only)
- ▶ Lifting points on baseframe.

Optional Features

- ▶ Oil field type skid with dragging points and

200 - 700 kVA Generating Set Range



200- 275 kVA



350 - 700 kVA

YOUR PARTNER IN POWER

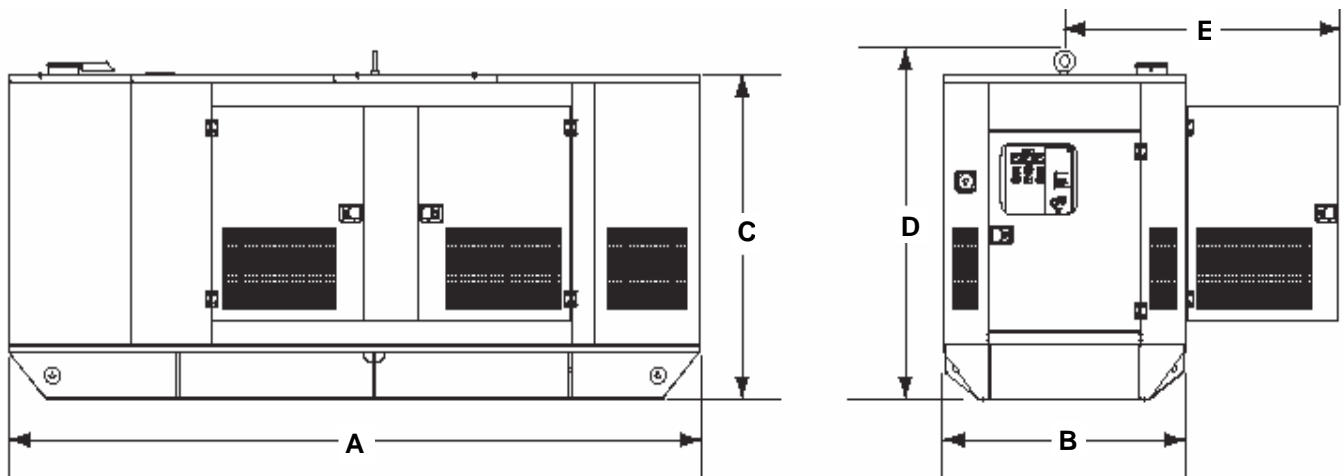
Modular
Acoustic Enclosure



Sound Pressure Levels (dBA)

		50 Hz at 1500 RPM						50 Hz at 1500 RPM							
		15 m (50 ft)		7 m (23 ft)		1 m (3 ft)		15 m (50 ft)		7 m (23 ft)		1 m (3 ft)			
Generating Set Model	LWA	75% Load	100% Load	75% Load	100% Load	75% Load	100% Load	Generating Set Model	LWA	75% Load	100% Load	75% Load	100% Load		
P200H2	..	64.6	64.9	70.6	70.9	82.6	82.7	P450P3	97	63.7	64.6	69.7	70.6	79.2	80.0
P220HE2	..	64.7	65.1	70.7	71.1	82.7	82.8	P500E3	97.0	64.0	65.0	70.0	71.0	79.5	80.4
P230H2	..	64.8	65.1	70.8	71.1	82.7	82.8	P500P3	96	62.9	64.4	68.9	70.4	78.6	80.0
P250HE2	..	64.9	65.2	70.9	71.2	82.7	82.8	P550E3	96	63.3	65.1	69.3	71.1	79.0	80.7
P250H2	..	64.9	65.2	70.9	71.2	82.7	82.8	P550P5	..	70	70.5	76.0	76.5	83.6	84.3
P275HE2	..	65.0	65.4	71.0	71.4	82.7	82.9	P605E5	..	70.2	70.5	76.2	76.5	83.9	84.5
P350P3	97	61.6	62.9	67.6	68.9	78.9	80.2	P600P5	..	70.2	70.5	76.2	76.5	83.8	84.4
P400E3	97	62.1	63.8	68.1	69.8	79.4	81.1	P660E5	..	70.3	70.5	76.3	76.5	84.1	84.6
P400P3	98	62.1	63.8	68.1	69.8	79.4	81.1	P635P5	..	70.3	70.5	76.3	76.5	84.0	84.5
P450E3	98	62.7	64.8	68.7	70.8	80.0	82.1	P700E5	..	70.4	70.4	76.4	76.4	84.2	84.7

Levels in accordance with European Noise Directive (2000/14/EC)



Dimensions and Weights

Generating Set Model	A mm (in)	B mm (in)	C mm (in)	D mm (in)	E* mm (in)	Weight Kgs (lb)	Fuel Capacity l (US gal)
P200H2/P220HE2	3894 (153.3)	1300 (51.2)	1875 (73.8)	1996 (78.6)	1700 (66.9)	2944 (6490)	550 (145)
P230H2/P250HE2	3894 (153.3)	1300 (51.2)	1875 (73.8)	1996 (78.6)	1700 (66.9)	3029 (6678)	550 (145)
P250H2/P275HE2	3894 (153.3)	1300 (51.2)	1875 (73.8)	1996 (78.6)	1700 (66.9)	3094 (6821)	550 (145)
P350P3/P400E3	4564(179.7)	1600(63.0)	2050(80.7)	2150(84.6)	1810(71.3)	5027(11083)	820(217)
P400P3/P450E3	4564(179.7)	1600(63.0)	2050(80.7)	2150(84.6)	1810(71.3)	5027(11083)	820(217)
P450P3/P500E3	4990(196.5)	1620(63.8)	2140(84.3)	2262(89.1)	1810(71.3)	5463(12044)	1000(264)
P500P3/P550E3	4990(196.5)	1620(63.8)	2140(84.3)	2262(89.1)	1810(71.3)	5463(12044)	1000(264)
P550P5/P605E5	5880(231)	1930(76.0)	2200(87.4)	2400(94.5)	1973(77.7)	6266(13814)	1350(357)
P600P5/P660E5	5880(231)	1930(76.0)	2200(87.4)	2400(94.5)	1973(77.7)	6330(13955)	1350(357)
P635P5/P700E5	5880(231)	1930(76.0)	2200(87.4)	2400(94.5)	1973(77.7)	6430(14176)	1350(357)

Note: Net Weight with lube oil, no coolant, no fuel.

* Clearance required both sides.

TEL./FAX.: 0044 2893 355674

Website: www.marapco.com

N. Ireland - UK



Jan-08

In line with our policy of continuous product development, we reserve the right to change specification without notice.

Made in UK